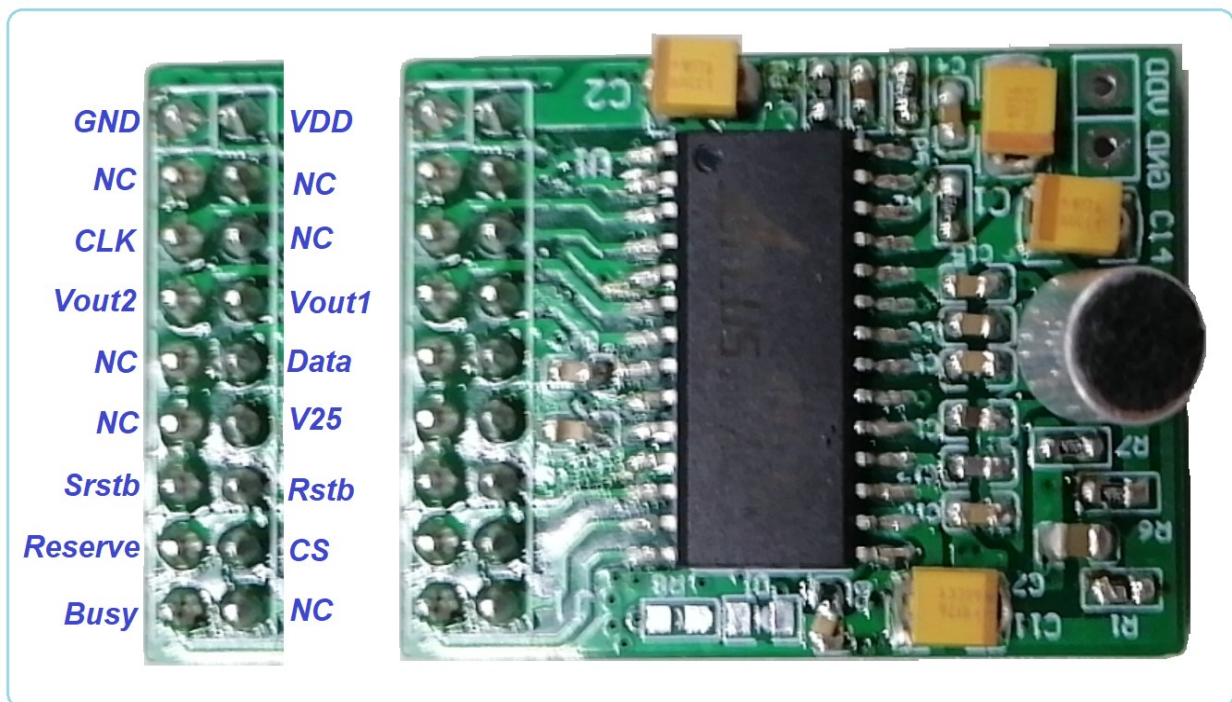
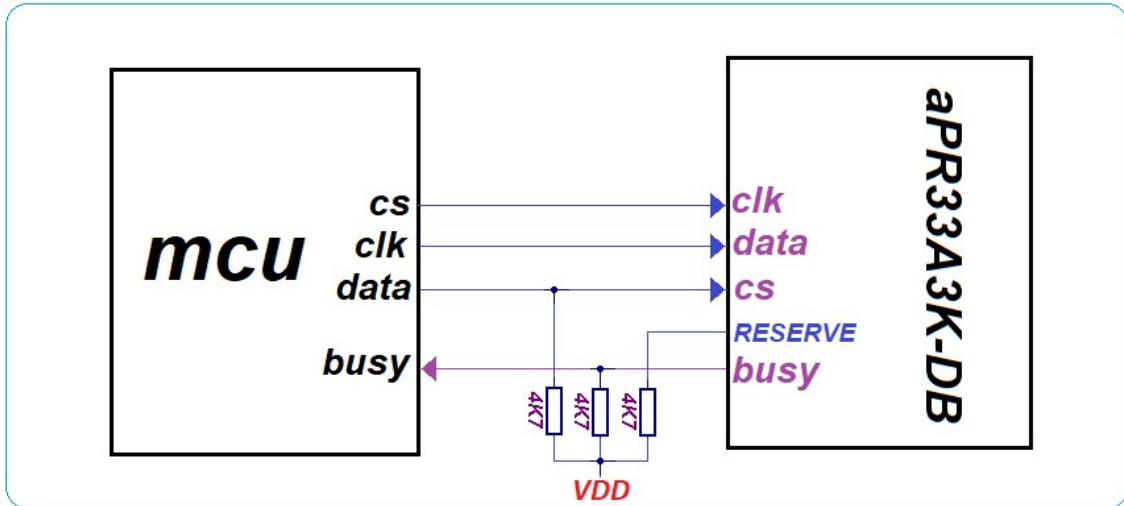


aPR33A3KDBS-C1.1 (CPU Serial Mode) **Demo Board User Guide**

Part no.	aPR33A3KDBS-C1.1(680 sec)
Function	CPU series interface, max 1024 sections.
Application	Support Mic & PWM Voice Output.



**** VCC : 3V - 6.5V**



	D15	D14	D13	D12	D11	D10	D9	D8	D7	D6	D5	D4	D3	D2	D1	D0
Stop	0	0	0	0	0	0	0	0	0	0	0	0	0	0	0	0
Delete	0	0	0	1	0	0	<i>D9~D0 --- Voice no. in binary</i>									
Rec	0	0	1	0	0	0	<i>D9~D0 --- Voice no. in binary</i>									
Play	0	0	1	1	0	0	<i>D9~D0 --- Voice no. in binary</i>									
Pup	1	0	1	1	0	0										
Pdn	1	0	1	1	0	0	1	0	0	0	0	0	0	0	0	0
Format	1	0	1	0	0	1	0	1	1	0	1	0	0	1	0	1

▪ **FORMAT**

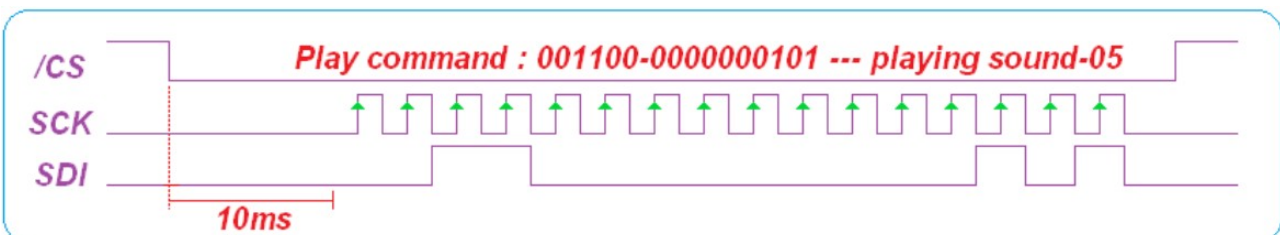
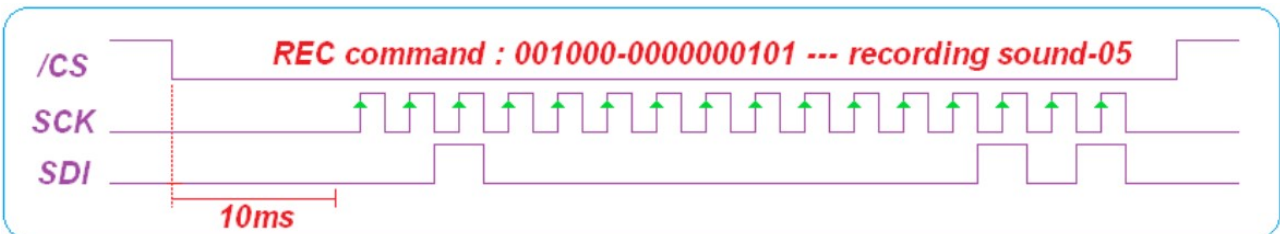
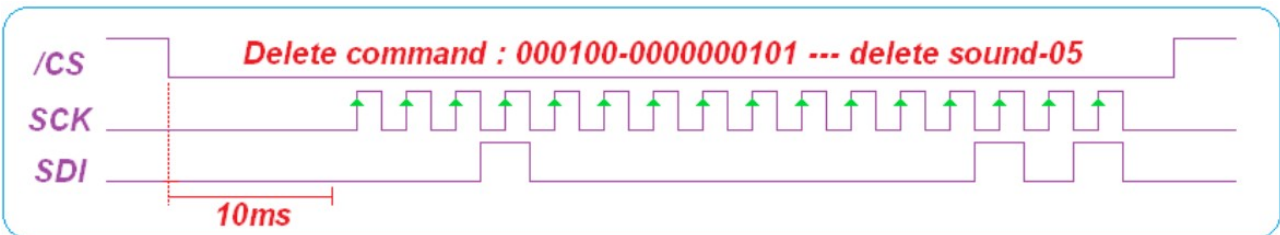
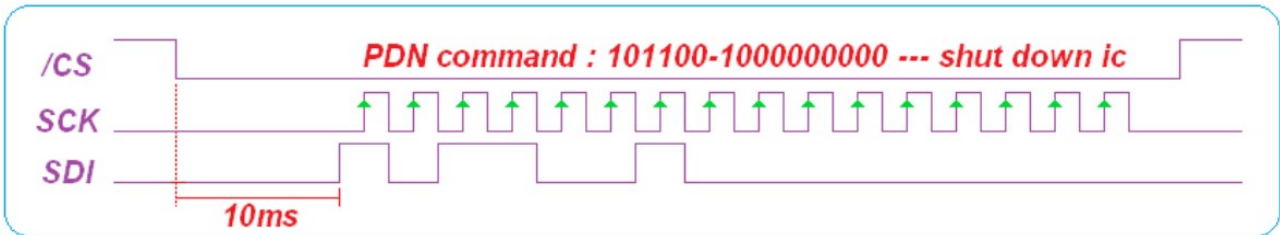
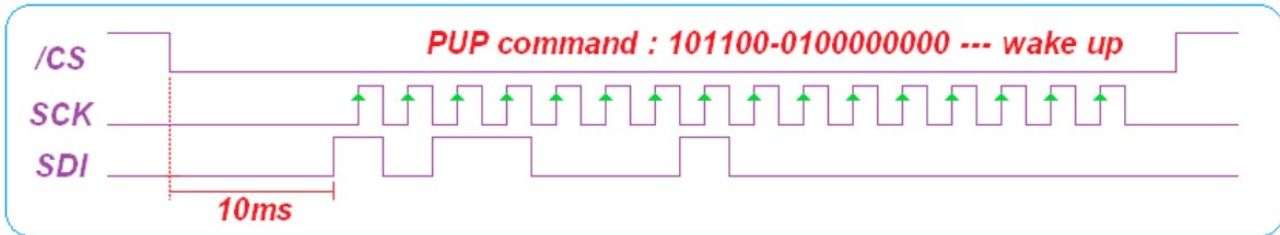
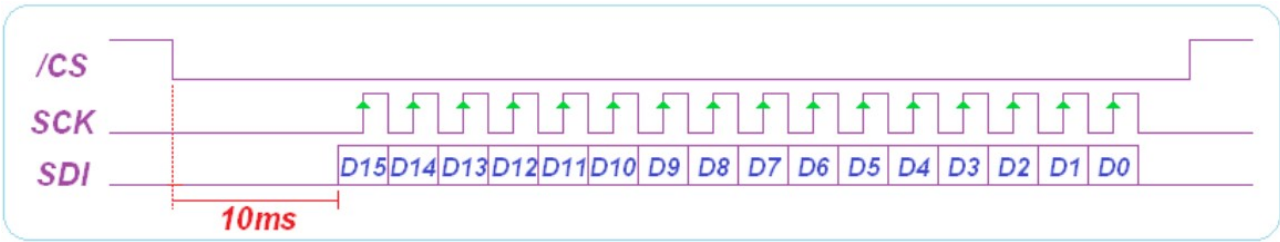
The **FORMAT** command is used to clear and re-configure data memory.

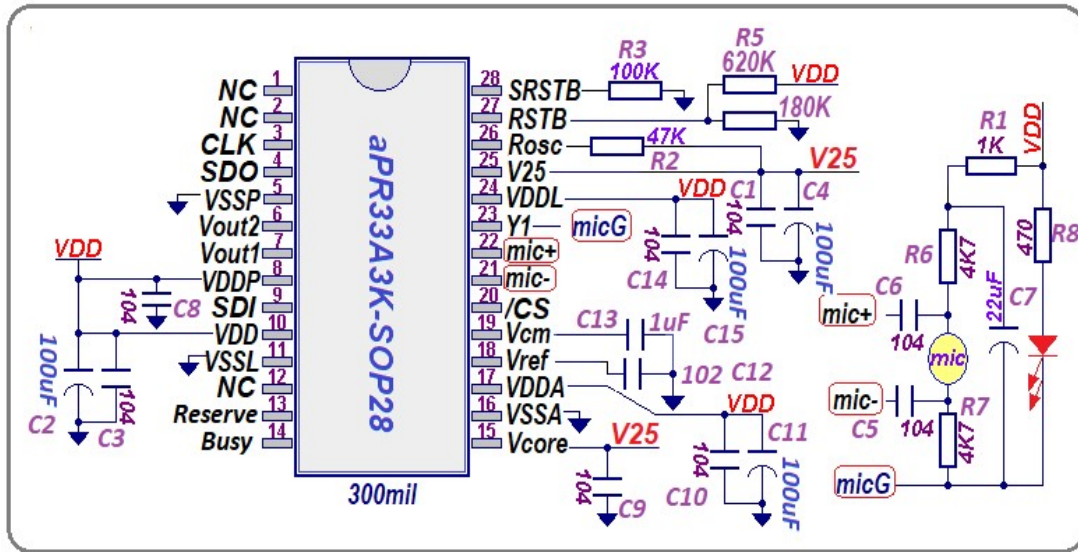
The **FORMAT** command is 1010010110100101 in binary, from bit-15 to bit-0.

After the **FORMAT** command is sent, the /**BUSY** pin will be pulled to low to indicate the format operation has started. When the format operation is finished, the /**BUSY** pin will be released back to high.

All of the voice in the memory will be deleted after executing format operation.

NOTICE: Users must execute the Format command in the first time using.





If need more details, please visit our website :

<http://www.aplusinc.com.tw> for its datasheet.